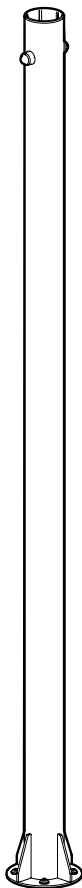


Installation Guide

SPDS4111

Cable management pole 1175mm





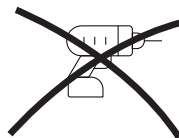
CAUTION

- Please ensure that you read and understand the content of the installation guide before you begin the installation process.
- This product must be installed by a professional installer.
- This product is designed to be mounted on a designated mount from Ergonomic Solutions.
- Do not overtighten the fixings.
- Do not hang any hardware (screen, accessories etc.) directly on this solution.
- This product is intended for indoor use only.
- Do not power the hardware, until the entire solution is fully assembled.
- If these installation instructions are not followed precisely, it could lead to product failure and potential personal injury.
- Ergonomic Solutions cannot be held responsible for any product failure or personal injury, if the installation instructions are not followed correctly.
- Ergonomic Solutions cannot be held responsible for any product failure or personal injury, if any modifications have been made to the product by the customer.

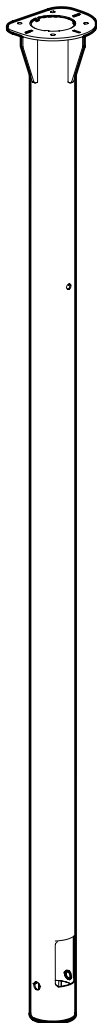
MAINTENANCE

- It is the responsibility of the customer to periodically check the installation and ensure it is clean and all fixings are tightened correctly.

Tool list



Box content



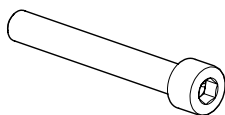
x1 (A)



x4 M6x8



x4 M6 washer



x1 M8x60



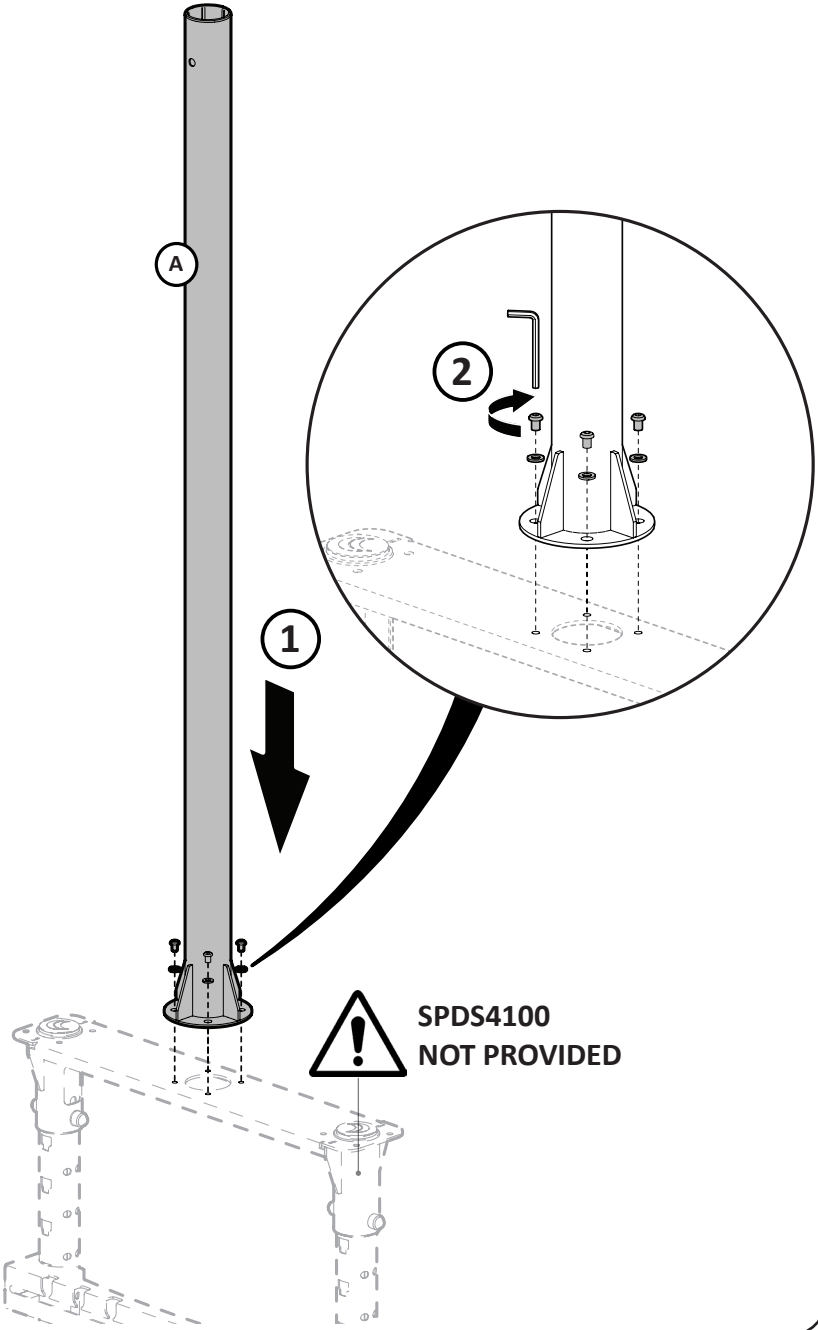
x2 M8 cap



x1 M8 nut

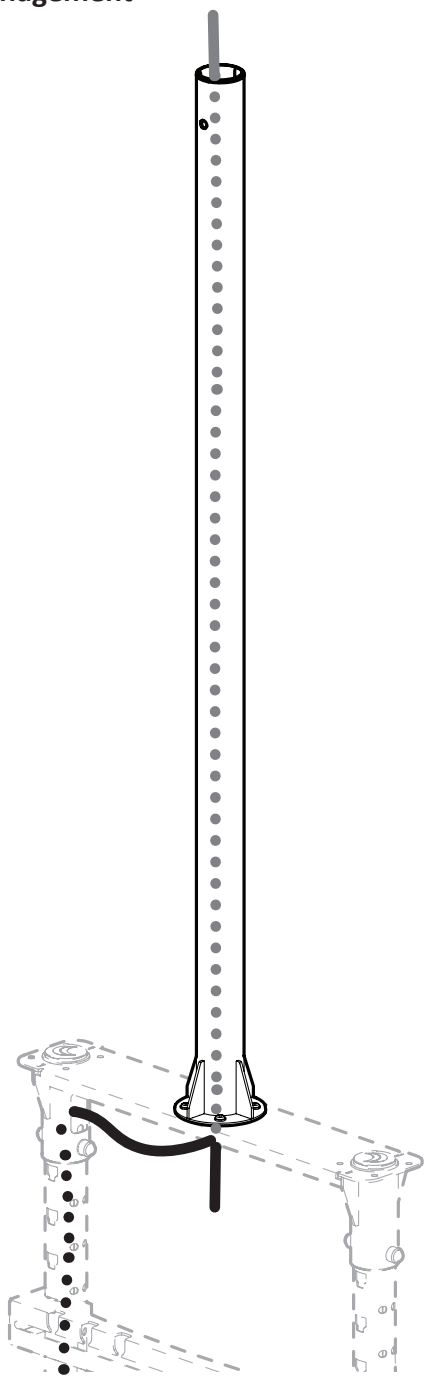


1 Cable ceiling pole mounting



2

Cable management



This Page Intentionally Left Blank

This Page Intentionally Left Blank

Need help? Contact us



ergonomic[®]
solutions
creators of SpacePole



spacepole[®]
an ergonomic
solutions company

ergonomic.solutions/about/contact-us

spacepole.com/about/contact-us